

**IP66**  
SUITABILITY



**FDS30**

**30 and 60 Amp Fused Disconnect Switches**

| Description                               | Catalog Number |
|---|----------------|
| 30A Circuit-Lock fused disconnect switch. | <b>FDS30*</b>  |
| 60A Circuit-Lock fused disconnect switch. | <b>FDS60*</b>  |

Note: \*Class "J" fuses not included.

**Auxiliary Contacts**

| Description  | Catalog Number |
|--|----------------|
| Auxiliary contact, normally open, A600 pilot duty.   | <b>ACFSNO</b>  |
| Auxiliary contact, normally closed, A600 pilot duty. | <b>ACFSNC</b>  |



**ACFSNO**

**Watertight Closure Plug Kits**

| Description                                   | Catalog Number |
|---|----------------|
| For 30A Circuit-Lock fused disconnect switch. | <b>MICPK30</b> |
| For 60A Circuit-Lock fused disconnect switch. | <b>MICPK60</b> |



**MICPK30**

**Replacement Mounting Feet**

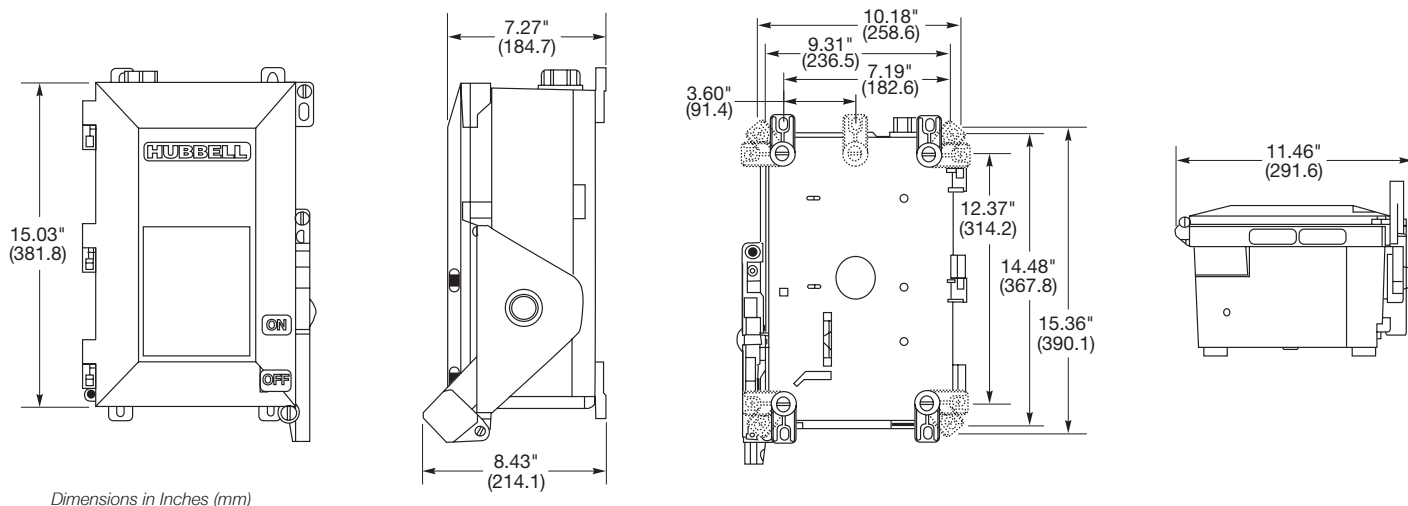
| Description   | Catalog Number             |
|---|----------------------------|
| Replacement mounting feet and screws for 30A and 60A fused disconnect switches. | <b>HBLRFT2<sup>Δ</sup></b> |

Note: 30A Units supplied with two 1 in. NPT raintight conduit fittings.  
60A Units supplied with two 1¼ in. NPT raintight conduit fittings.  
<sup>Δ</sup> Package of 10 feet and 10 screws.



**HBLRFT2**

**Dimensions**



Dimensions in Inches (mm)